

Volume of 3D Figures Practice Worksheet

Number _____ Name _____ Period _____

Find the volume of each figure.

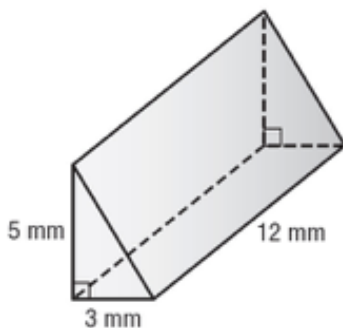
Formulas

Rectangular Prism: $V = lwh$

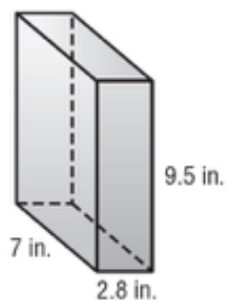
Triangular Prism: $V = Bh$

Pyramid: $V = Bh \div 3$

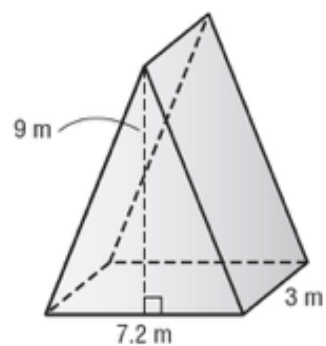
4.



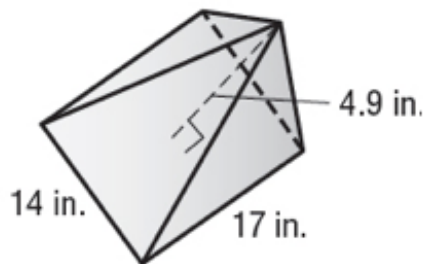
5.



6.



5.



6.

